

STORMWATER STRUCTURE SETOUT TABLE

PIT No.	EASTING	NORTHING	STRUCTURE TYPE	TOP LEVEL
1/99	5578.74*	76807.29*	Side Inlet Pit - 1 chamber, 1 trough	10.102k*
0/99a	-	-	Concrete Headwall	8.053*
1/99a	5648.02*	76810.55*	1050x600 Field Inlet Manhole	8.079*
2/99a	5625.19*	76827.18*	1050x600 Field Inlet Manhole	8.304*
3/99a	5608.96*	76839.16*	1050x600 Field Inlet Manhole	8.485*
4/99a	5596.47*	76847.93*	1050x600 Field Inlet Manhole	8.668*
5/99a	5584.17*	76856.80*	1050x600 Field Inlet Manhole	8.810*

- All dimensions are to centre of chamber.
 - Pit 1/99 is a non standard chamber, refer to table below.
 - Refer to drawing SUN0089/04 for structure 0/99a setout details.
 - Refer to drawing SUN0089/04 for field inlet manhole details.
 - 600x600 Class 'B' galvanised raised grate to all field inlet manholes.

NON STANDARD CHAMBER TABLE

PIT No.	Y distance (mm)	Z distance (mm)
1/99	1550	900

- Refer to Council standard drawing 10200 for details.

- LEGEND**
- 2/1 (12.000*) - Pit No. 2/Drainline No. 1
 - 12.000* - As constructed top of structure levels.
 - Top of batter.
 - Toe of batter.
 - Invert of creek/drain.
 - Change of grade.
 - Stormwater drain line.
 - Sewer main.
 - Water main.
 - Stormwater drain line.
 - Subsoil drainage.
 - Sewer main.
 - Sewer manhole.
 - Water main.
 - Overhead power line.
 - Optic fibre conduit.

AS CONSTRUCTED

I John James Rowlands of ROWLANDS SURVEYS Pty. Ltd. hereby certify that this drawing accurately describes and records the nature and the location of the works depicted hereon as they have been constructed for the purposes of the development.

J. Rowlands 3.12.10.
 John James Rowlands
 Director/Registered Surveyor

APPROVED

TOWNSVILLE CITY COUNCIL
 REC'D 24 DEC 2010
 TOWN PLANNING

REAL PROPERTY DESCRIPTION

Lot 779 on SP 223220
 Parish of BOHLE
 County of ELPHINSTONE
 Bilbao Place - Bushland Beach

In Association with:-

ROWLANDS SURVEYS PTY LTD
 22 GORDEN STREET
 GARBUTT, 4814
 Ph. (07)47755077

SUNLAND GROUP

LEVEL DATUM A.H.D.
 Horizontal Datum GDA' 94 Zone 55
 Refer P.M. 138403 RL. 8.545
 Bolt & washer in manhole top.
 LYNWOOD AVENUE

Scale
 0 2.5 5 7.5 10m

THE ORIGINAL OF THIS DOCUMENT IS COMPLETED TO THE SCALE NOTED. AS REPRODUCTION CAN DISTORT SIZE & SHAPE USE ONLY THE DIMENSIONS PROVIDED ON ARCHITECTURAL &/OR ENGINEERING DRAWINGS. VERIFY DIMENSIONS ON SITE BEFORE CONSTRUCTION.

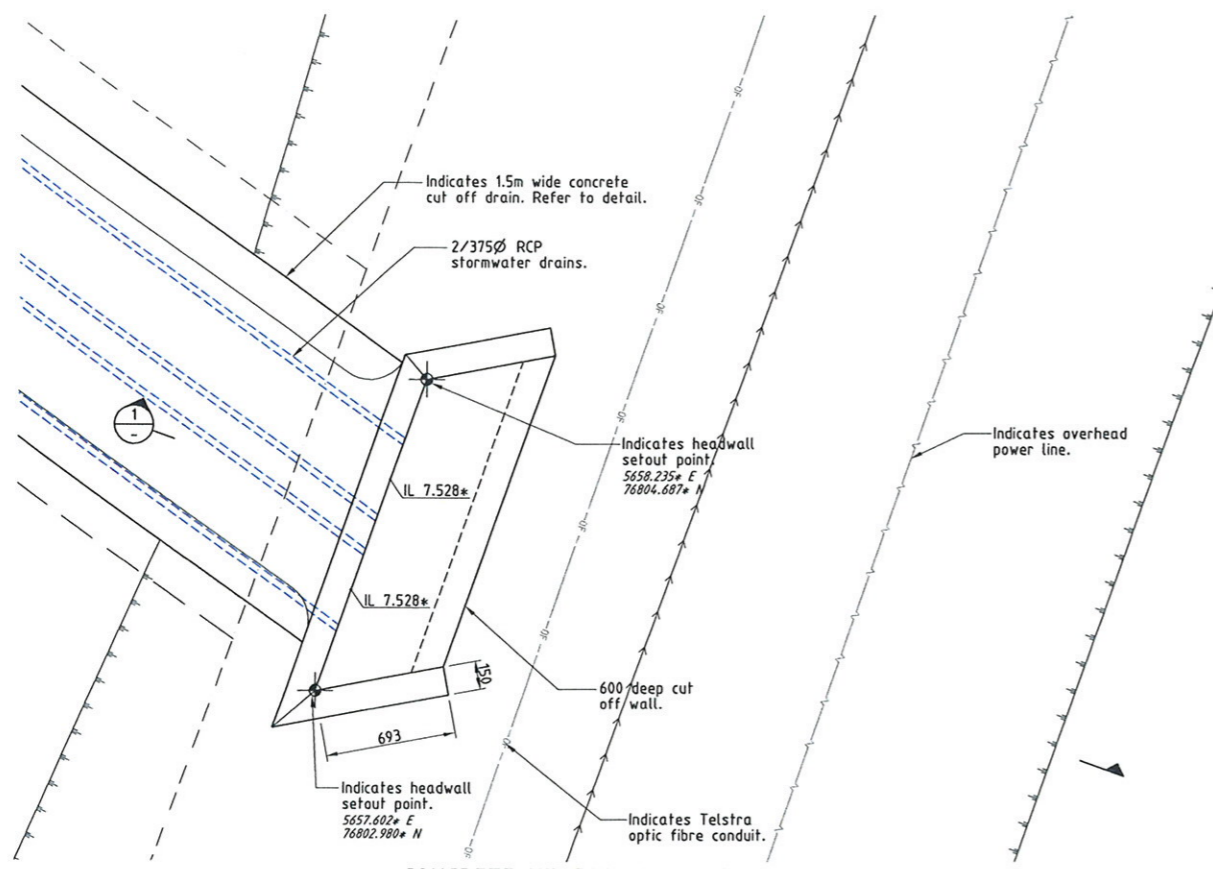
All work carried out in accordance with LOCAL AUTHORITY standard details.

NORTHERN CONSULTING
 engineers

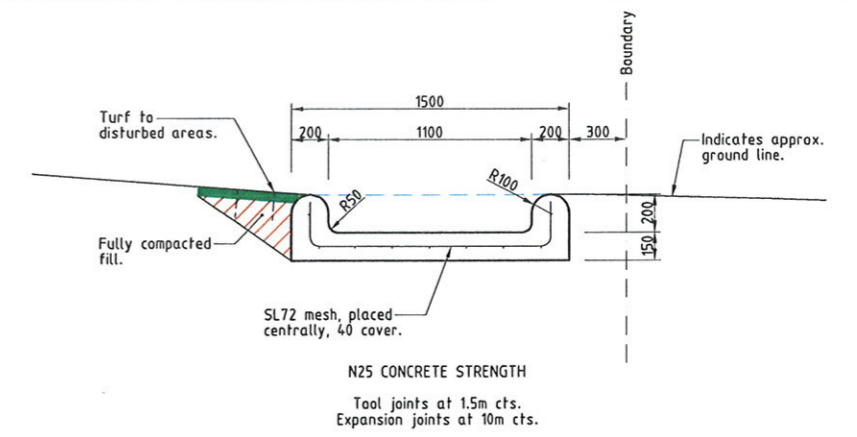
Civil & Structural Engineers
 50 Punari Street, Currajong 4812
 Phone: 07 4725 5550 Fax: 07 4725 5850
 Email: mail@nceng.com.au
 Milton Messer & Associates Pty. Ltd.
 ACN 100 817 356

Issue	Description	Date
B	AMENDED TO AS CONSTRUCTED.	02/12/2010
A	ISSUED FOR CONSTRUCTION.	16/08/2010
P2	PRELIMINARY - NOT FOR CONSTRUCTION - ISSUED FOR OPERATIONAL WORKS APPROVAL.	28/05/2010
P1	PRELIMINARY - NOT FOR CONSTRUCTION - ISSUED FOR INFORMATION.	29/04/2010

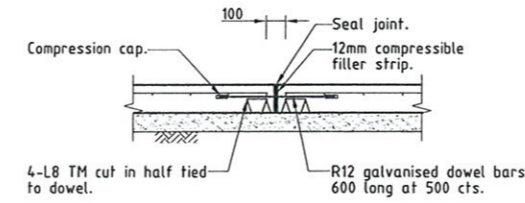
Drawn TM	In Association with SUNLAND GROUP LIMITED	STORMWATER DRAIN LINE PLAN
Date 29/04/2010		
Checked <i>[Signature]</i>	STAGE 89, 5 TRADITIONAL RESIDENTIAL LOT SUBDIVISION	Drawing Number
Approved <i>[Signature]</i>	BILBAO PLACE BUSHLAND BEACH	SUN0089/03
COPYRIGHT ©		Issue B



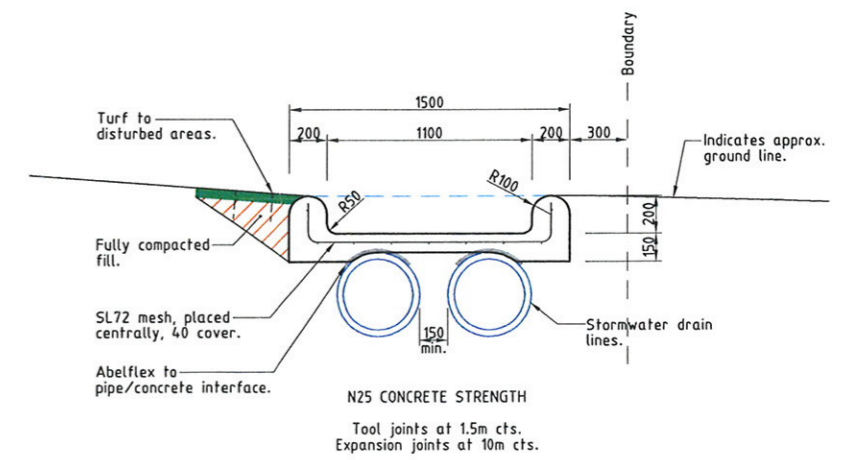
CONCRETE HEADWALL LAYOUT PLAN
Scale 'A'



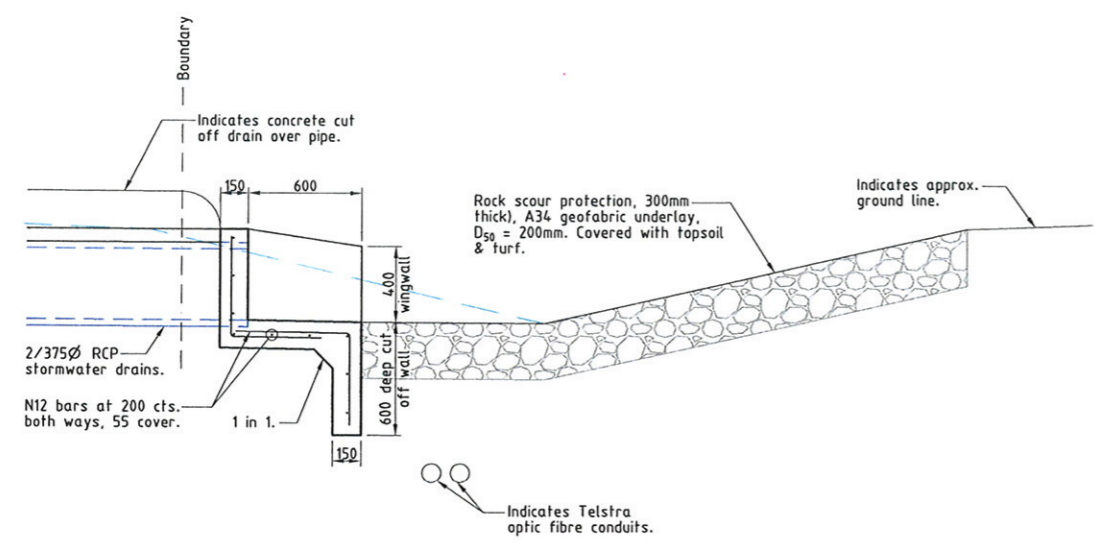
1.5m WIDE CONCRETE CUT OFF DRAIN (TYPICAL)
Scale 'B'



EXPANSION JOINT (EJ)
Scale 'B'



1.5m WIDE CONCRETE CUT OFF DRAIN OVER PIPE
Scale 'B'



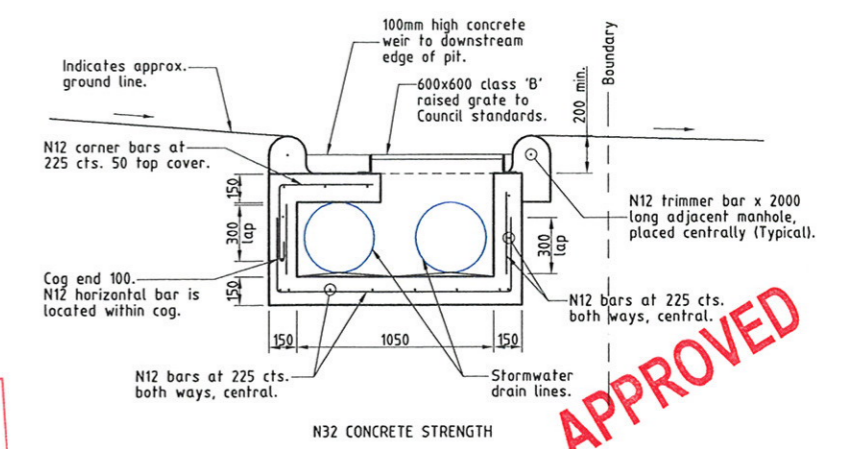
SECTION 1
Scale 'B'

AS CONSTRUCTED

I John James Rowlands of ROWLANDS SURVEYS Pty. Ltd. hereby certify that this drawing accurately describes and records the nature and the location of the works depicted hereon as they have been constructed for the purposes of the development.

John James Rowlands
Date: 3.12.10.
John James Rowlands
Director/Registered Surveyor

TOWNSVILLE CITY COUNCIL
REC'D 24 DEC 2010
TOWN PLANNING



1050x600 CONCRETE FIELD INLET MANHOLE
Scale 'B'

APPROVED

REAL PROPERTY DESCRIPTION

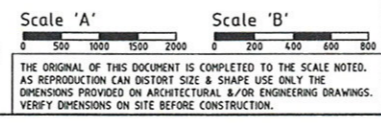
Lot 779 on SP 223220
Parish of BOHLE
County of ELPHINSTONE
Bilbao Place - Bushland Beach

In Association with:-

ROWLANDS SURVEYS PTY LTD
22 GORDEN STREET
GARBUTT. 4814
Ph. (07)47755077



LEVEL DATUM A.H.D.
Horizontal Datum GDA' 94 Zone 55
Refer P.M. 138403 RL. 8.545
Bolt & washer in manhole top.
LYNWOOD AVENUE



All work carried out in accordance with LOCAL AUTHORITY standard details.

NORTHERN CONSULTING
engineers

Civil & Structural Engineers
50 Puneri Street, Currajong 4812
Phone: 07 4725 5550 Fax: 07 4725 5850
Email: mail@nceng.com.au
Milton Messer & Associates Pty. Ltd.
ACN 100 817 355

Issue	Description	Date
B	AMENDED TO AS CONSTRUCTED.	02/12/2010
A	ISSUED FOR CONSTRUCTION.	16/08/2010
P2	PRELIMINARY - NOT FOR CONSTRUCTION - ISSUED FOR OPERATIONAL WORKS APPROVAL.	28/05/2010
P1	PRELIMINARY - NOT FOR CONSTRUCTION - ISSUED FOR INFORMATION.	29/04/2010

Drawn TM	In Association with SUNLAND GROUP LIMITED	STORMWATER CONSTRUCTION DETAILS
Date 29/04/2010	STAGE 89, 5 TRADITIONAL RESIDENTIAL LOT SUBDIVISION	
Checked [Signature]	BILBAO PLACE	Drawing Number SUN0089/04
Approved [Signature]	BUSHLAND BEACH	Issue B
COPYRIGHT ©		